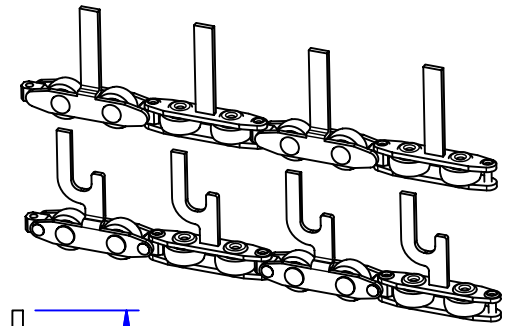
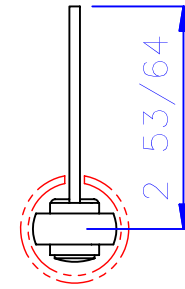
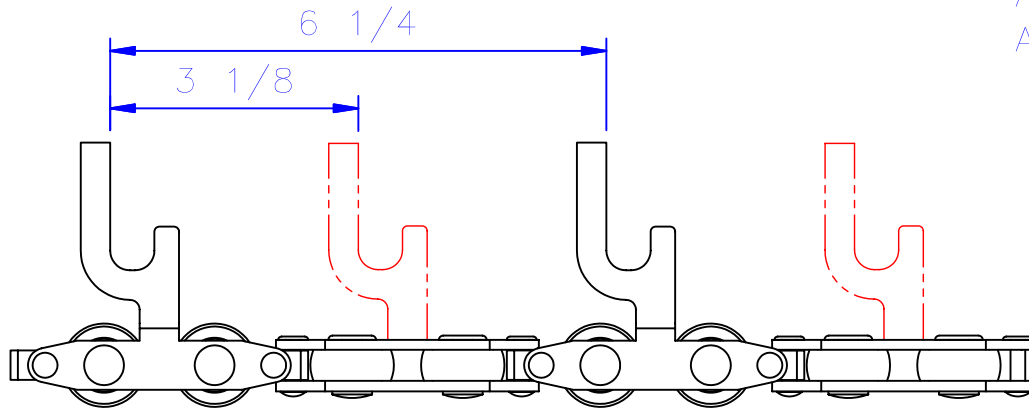
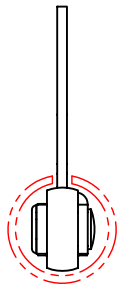


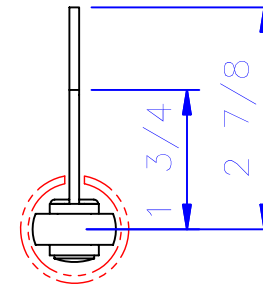
3 1/8" PENDANT CHAIN
OR 6 1/4" PENDANT CHAIN



NOTE:
ALL PARTS EXCEPT BALL BEARING
ARE MADE OF STAINLESS STEEL.



3 1/8" HELPING HAND PENDANT CHAIN
OR 6 1/4" HELPING HAND PENDANT CHAIN



TYPICAL WELDED
PENDANT ASSEMBLY
END VIEW
SHOWN W/ \varnothing 1 3/8 TUBE

TYPICAL BENT
PENDANT ASSEMBLY
END VIEW
SHOWN W/ \varnothing 1 3/8 TUBE

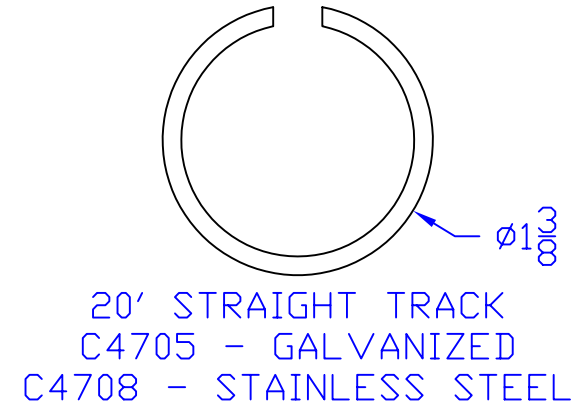
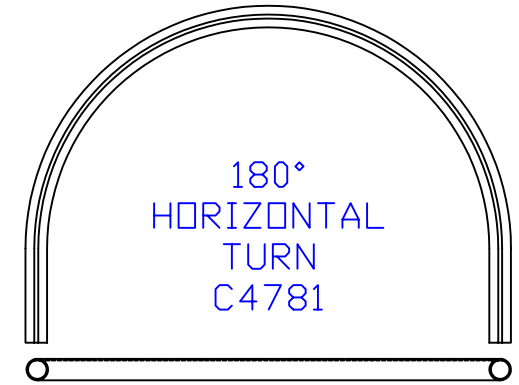
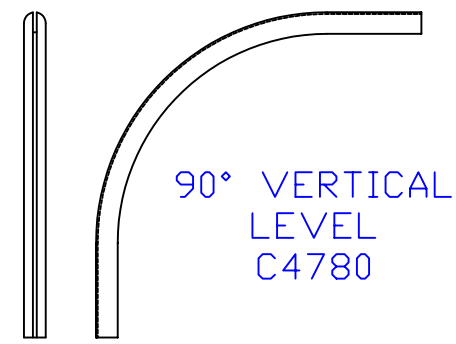
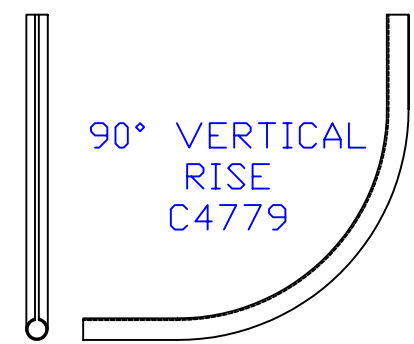
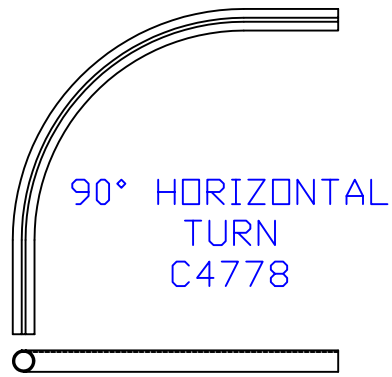
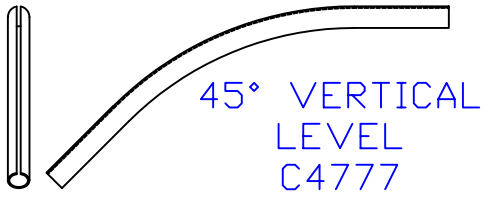
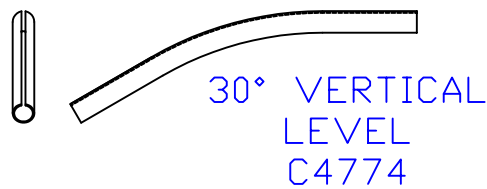


DRAWING NAME	CLIENT
	TRANSPORTER CONVEYOR CHAIN

DRAWN BY	SPM
CHECKED BY	RVH
APPROVED BY	RVH
SCALE	NTS
DRAWING NUMBER	
LA-1365	

DRAWING REVISIONS			
REV#	DATE	BY	DESCRIPTION
1	08/14/08	SPM	CREATED DRAWING

This document is the property of Leonard Automatics, Inc. It has been prepared to provide information to our client, for their decision making and approval process. Any other uses, without the express written permission of Leonard Automatics, Inc. is prohibited. Furthermore, any reproduction of this document, without the express written permission of Leonard Automatics, Inc. is also prohibited.



- NOTES:
1. 30° & 45° TURNS HAVE 21' CENTER LINE RADIUS.
 2. 90° TURNS HAVE 14" CENTER LINE RADIUS.
 3. 180° TURNS HAVE 14 3/4" CENTER LINE RADIUS.
 4. TUBE DIAMETER IS 1 3/8".



CLIENT —

DRAWING NAME TRANSPORTER
CONVEYOR TRACK

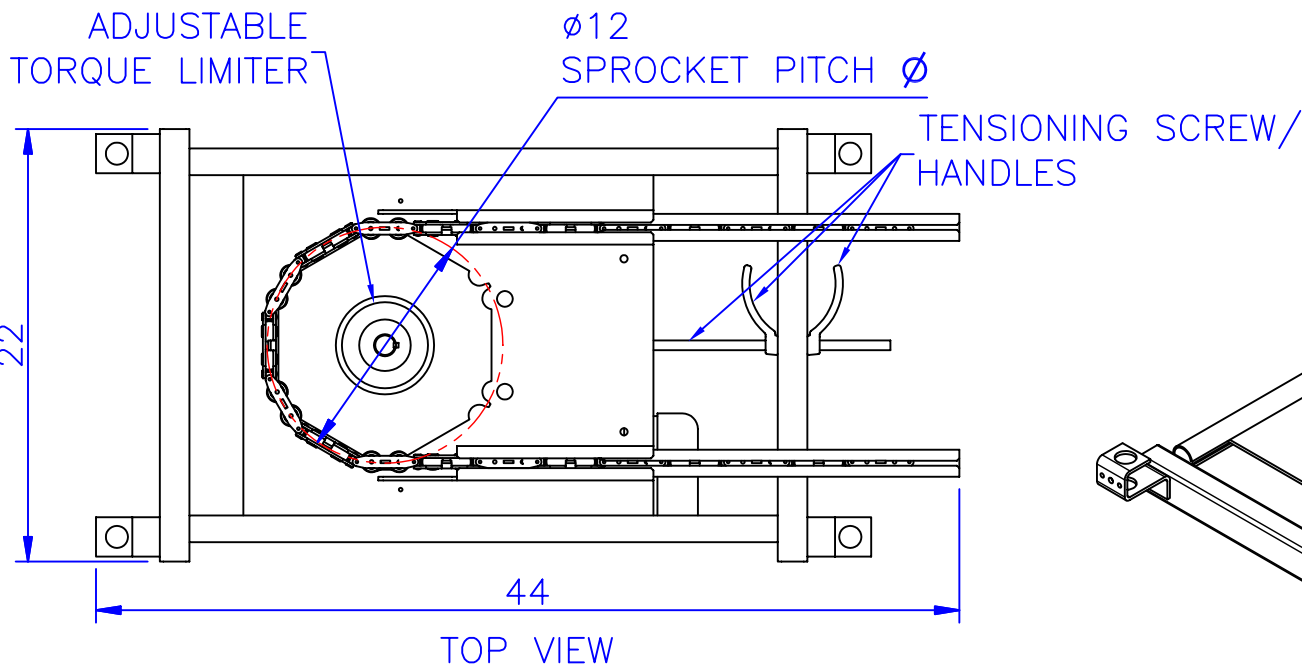
SCALE NTS

DRAWING NUMBER LA-1522

DRAWING REVISIONS			
REV#	DATE	BY	DESCRIPTION
-	10/30/07	SPM	CREATED DRAWING TO REPLACE 61698 REV 1
A	01/29/08	SPM	CORRECTED NOTES REGARDING CENTERLINE RADIUS

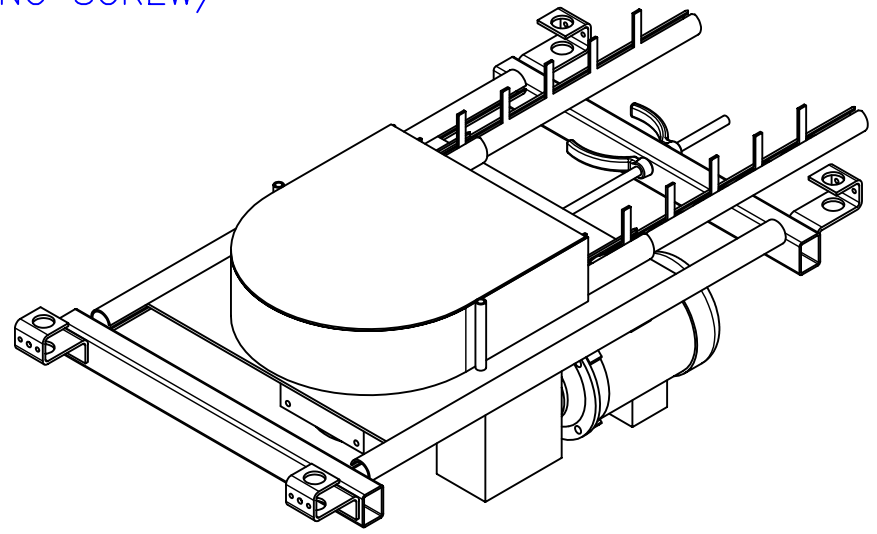
This document is the property of Leonard Automatics, Inc. It has been prepared to provide information to our client, for their decision making and approval process. Any other uses, without the express written permission of Leonard Automatics, Inc. is prohibited. Furthermore, any reproduction of this document, without the express written permission of Leonard Automatics, Inc. is also prohibited.

DWG IN INCHES

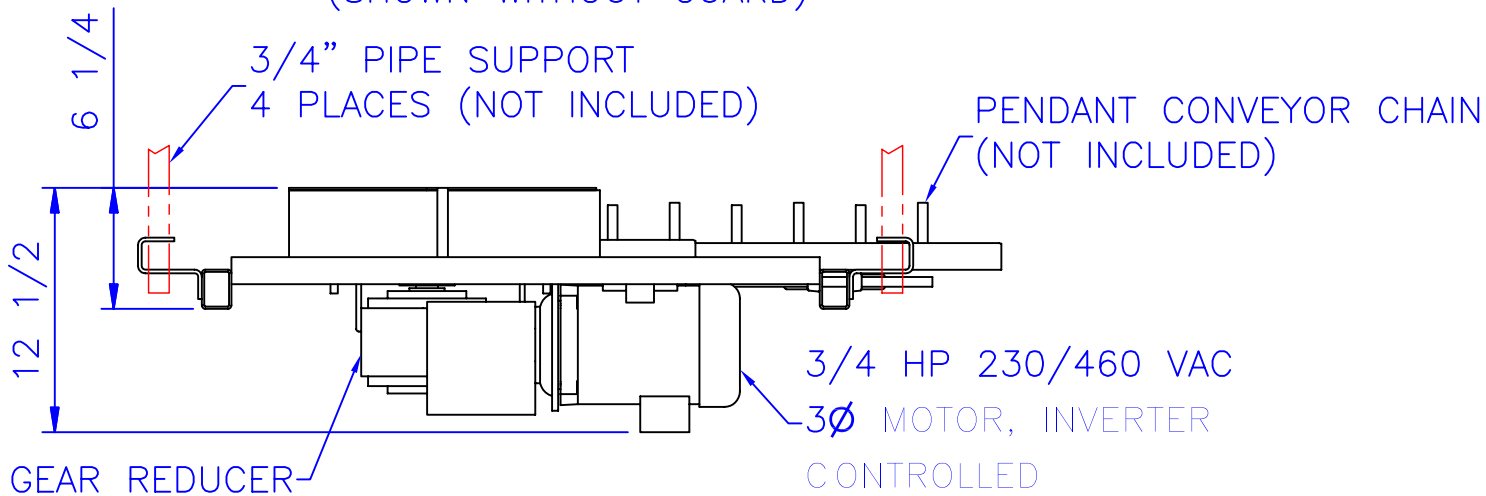


TOP VIEW

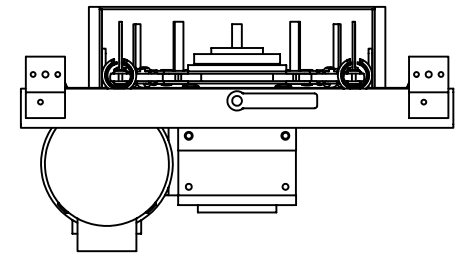
(SHOWN WITHOUT GUARD)



ISOMETRIC VIEW



SIDE VIEW



END VIEW

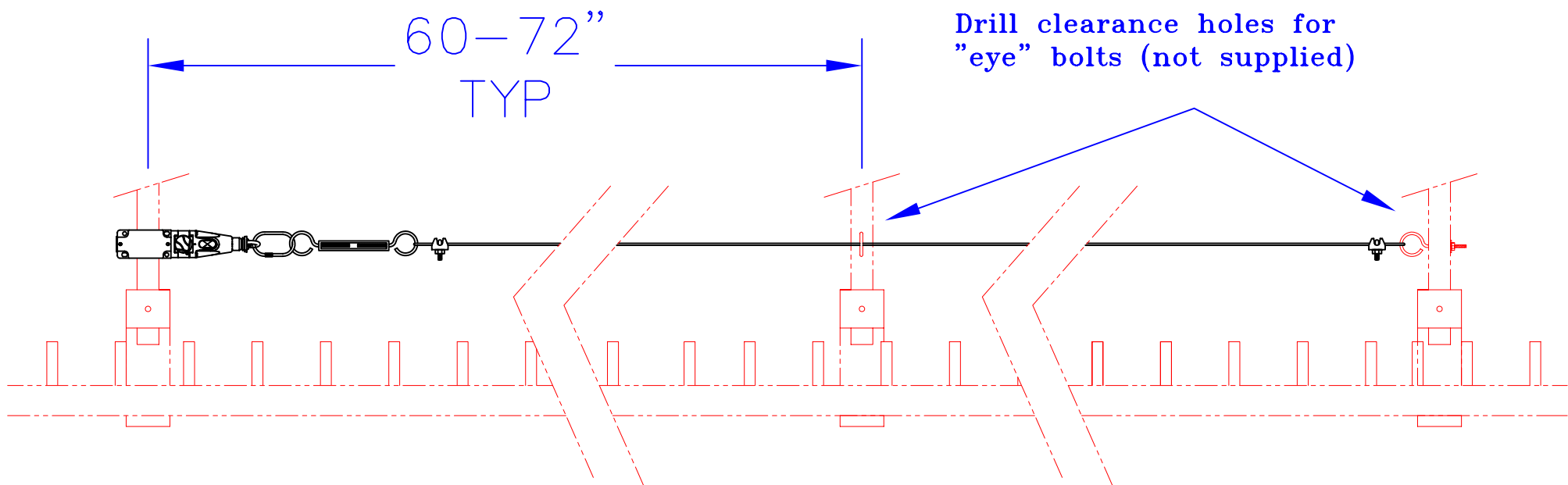
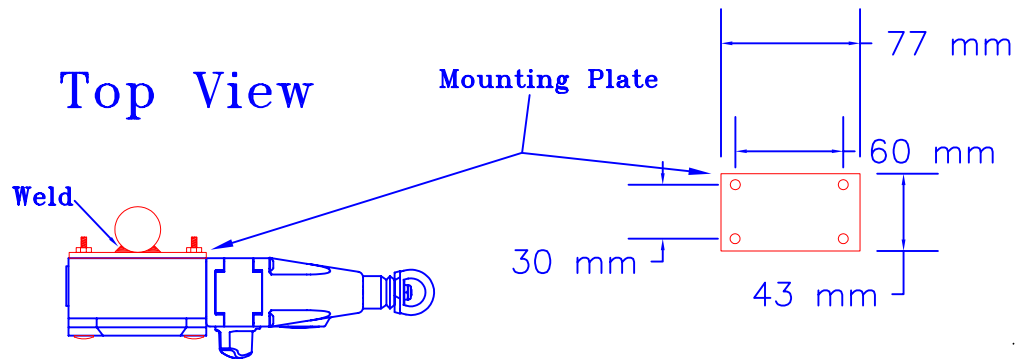


DRAWING NAME CLIENT
**TRANSPORTER CONVEYOR
DRIVE SCHEMATIC**

DRAWN BY SPM
CHKD BY —
APPD BY —
SCALE NTS
DRAWING NUMBER
LA-1578

DRAWING REVISIONS			
REV#	DATE	BY	DESCRIPTION
—	02/08/08	SPM	CREATED DRAWING

This document is the property of Leonard Automatics, Inc. It has been prepared to provide information to our client, for their decision making and approval process. Any other uses, without the express written permission of Leonard Automatics, Inc. is prohibited. Furthermore, any reproduction of this document, without the express written permission of Leonard Automatics, Inc. is also prohibited.
DWG IN INCHES



CLIENT —

DRAWING NAME
**Emergency Pull Cable
Installation Diagram**

SCALE: NTS

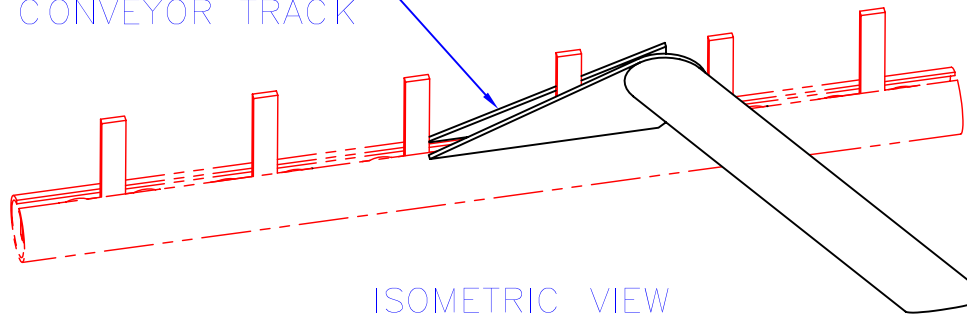
DRAWING NUMBER
LA-1529

DRAWING REVISIONS			
REV#	DATE	BY	DESCRIPTION
—	11/07/07	MDH	CREATED DRAWING

This document is the property of Leonard Automatics, Inc. It has been prepared to provide information to our client, for their decision making and approval process. Any other uses, without the express written permission of Leonard Automatics, Inc. is prohibited. Furthermore, any reproduction of this document, without the express written permission of Leonard Automatics, Inc. is also prohibited.

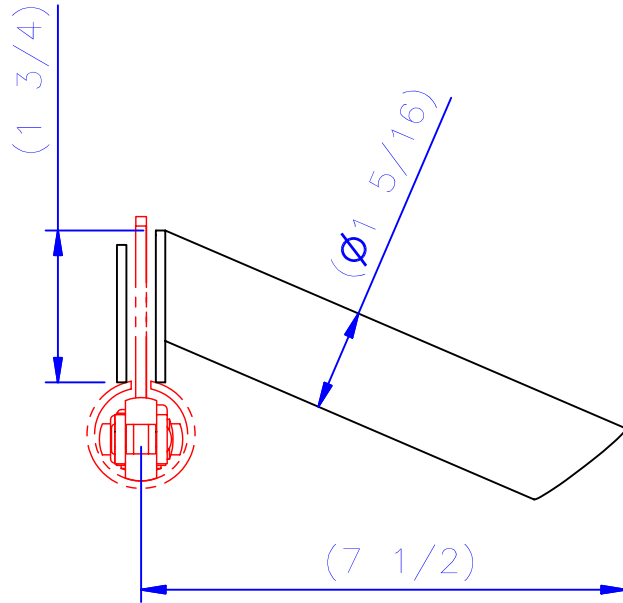
DWG IN INCHES

WELD RAMP TO
FAR SIDE OF
CONVEYOR TRACK

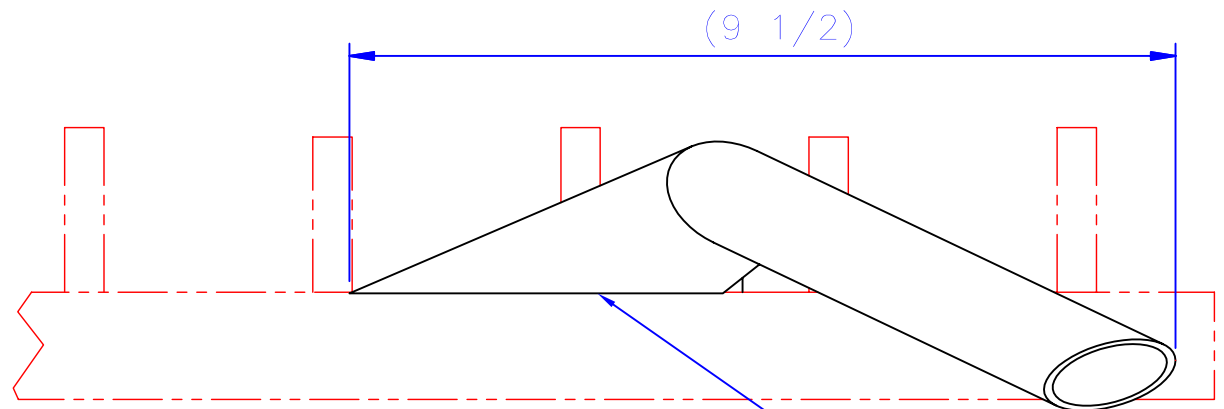


ISOMETRIC VIEW

CUSTOMER'S SLICK
RAIL TO COME TO
THIS POINT



END VIEW



CONVEYOR
DIRECTION

SIDE VIEW

WELD PLOWOFF TO
CONVEYOR TRACK

NOTE:

1. LEFT TO RIGHT PLOWOFF SHOWN. RIGHT TO LEFT PLOWOFF OPPOSITE.



LEONARD
AUTOMATICS
INC.

DRAWING NAME CLIENT

FIXED PLOWFF
TRANSPORTER CONVEYOR

DRAWN BY SPM
CHKD BY
APPD BY
SCALE 1/5
DRAWING NUMBER

LA-1427

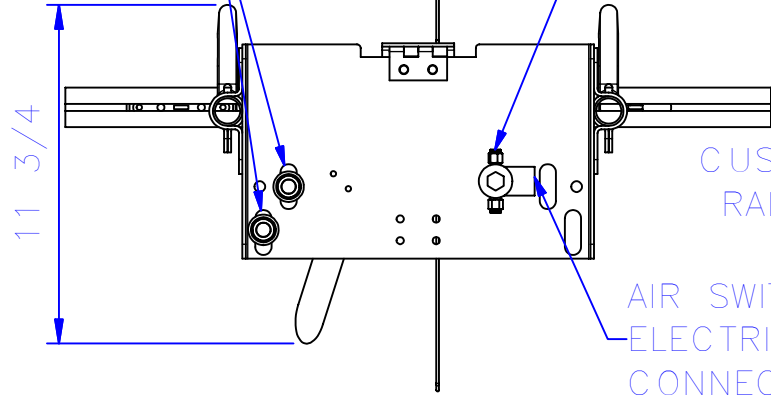
DRAWING REVISIONS

REV#	DATE	BY	DESCRIPTION
-	02/26/08	SPM	CREATED DRAWING

This document is the property of Leonard Automatics, Inc. It has been prepared to provide information to our client, for their decision making and approval process. Any other uses, without the express written permission of Leonard Automatics, Inc. is prohibited. Furthermore, any reproduction of this document, without the express written permission of Leonard Automatics, Inc. is also prohibited.

DWG IN INCHES

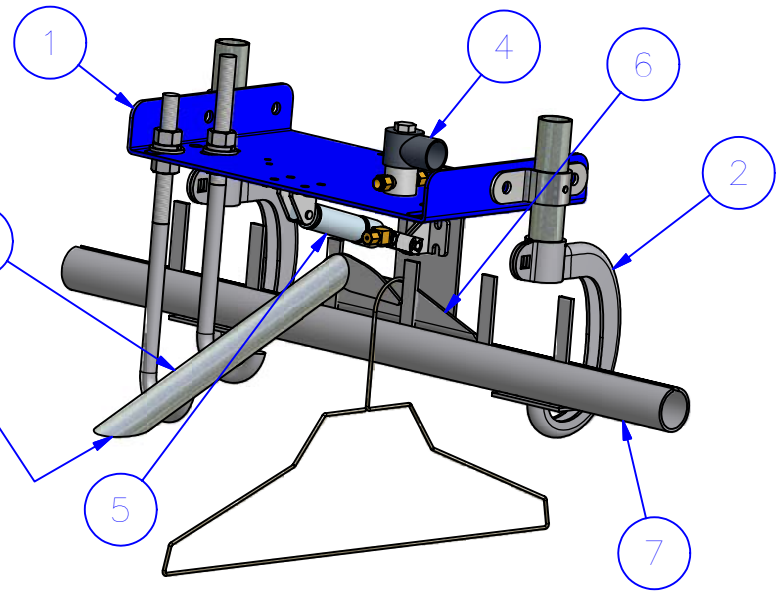
FIXED FLOW
HORIZONTAL
ADJUSTMENT



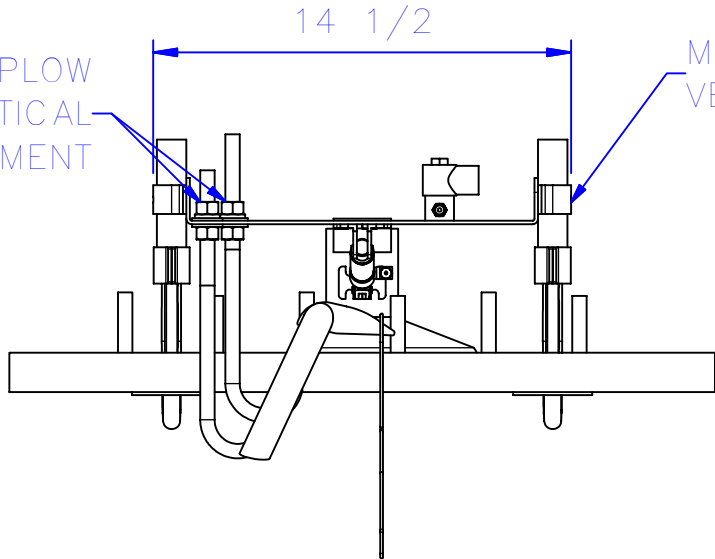
10' OF $\varnothing 5/32$ "
POLYURETHANE TUBE
INCLUDED (NOT SHOWN)

CUSTOMER'S SLICK
RAIL TO COME TO
THIS POINT

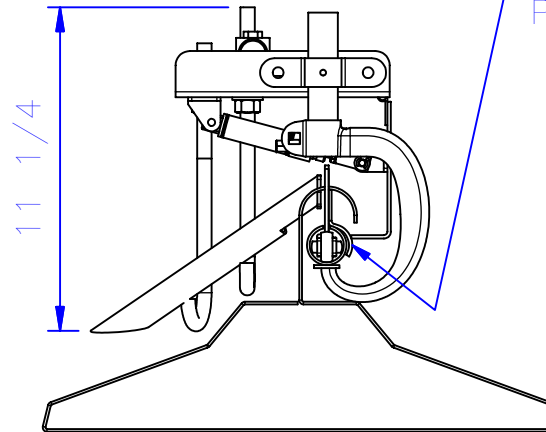
AIR SWITCH
ELECTRICAL
CONNECTION



FIXED FLOW
VERTICAL
ADJUSTMENT



MOVABLE FLOW
VERTICAL ADJUSTMENT



MOVABLE FLOW
SHOWN IN ENGAGED
POSITION

ITEM	DESCRIPTION
1	AIR FLOW BASE MOUNT
2	TRACK SUPPORT CLAMP
3	FIXED FLOW
4	SOLENOID AIR SWITCH
5	AIR CYLINDER
6	MOVABLE FLOW
7	PENDANT CHAIN & TRACK (NOT INCLUDED)



DRAWING NAME CLIENT
AIR FLOWOFF R TO L

DRAWN BY	SPM
CHKD BY	RVH
APPD BY	RVH
SCALE	NTS
DRAWING NUMBER	
LA-1358	

DRAWING REVISIONS		
REV#	DATE	DESCRIPTION
1	11/11/08	SPM CREATED DRAWING

This document is the property of Leonard Automatics, Inc. It has been prepared to provide information to our client for their decision making and approval process. Any other uses, without the express written permission of Leonard Automatics, Inc. is prohibited. Furthermore, any reproduction of this document, without the express written permission of Leonard Automatics, Inc. is also prohibited.